

# MULTI-POINT INSPECTION - SIDE BY SIDE VEHICLE

The Yamaha multi-point inspection is a series of visual checks performed by your dealer. In the event that service is recommended on a listed item, your Yamaha service advisor will be happy to speak with you about the available options.

This report is an inspection only. Be sure to follow the routine maintenance schedule outlined in your vehicle owner's manual.



Customer Name \_\_\_\_\_ Date \_\_\_\_\_ RO/Tag \_\_\_\_\_

Odometer \_\_\_\_\_ Hours of use \_\_\_\_\_ Year/Model \_\_\_\_\_ VIN \_\_\_\_\_

OKAY AT THIS TIME	REQUIRES ATTENTION SOON	REQUIRES IMMEDIATE ATTENTION	NOT CHECKED / NOT APPLICABLE
-------------------	-------------------------	------------------------------	------------------------------

**YAMALUBE ADVANTAGE ENROLLMENT** YES  NO

**FACTORY MODIFICATION CAMPAIGN REQUIRED** YES  NO

**FLUID LEVELS**

Engine Oil Level				
Brake Fluid Level				
Clutch Fluid Level				
Transmission Fluid Level				
Front Differential Fluid Level				
Rear Differential Fluid Level				
Coolant Levels, Freezing Point				

**ELECTRICAL COMPONENTS**

Diagnostic Warning Light				
Ignition Switch: Off/On/Start				
Lighting: Headlight Hi/Low, Tail/Brake, Reflectors				
Instrument Panel: Speedo, Tach, Odo, Fuel				
On Command Drive Switch: 2WD, 4WD, Diff Lock				

**CHASSIS / CONTROLS**

Drive System: F/N/R Operation, Noises				
Throttle Operation				
Steering and Steering Linkages				
Suspension: Arms, Pivots, Shock Absorbers				
Seat Belt Operation				
Doors, Latches, Egress Protection				
Frame protection: Skid Plates, Bumpers, etc.				
Exhaust system: Leaks, Damage, Loose Parts				
Bodywork				

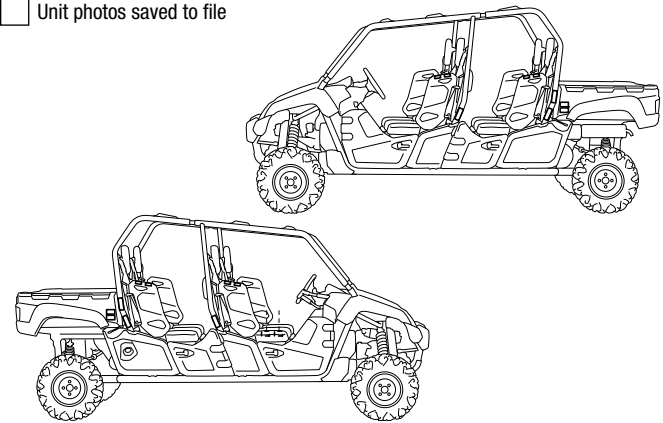
**TIRE / WHEEL CONDITION**

Front Left				
Front Right				
Rear Left				
Rear Right				

SERVICE TECH: \_\_\_\_\_  
 NEXT SERVICE: DUE NOW \_\_\_\_\_ DUE AT \_\_\_\_\_ HRS/KMS \_\_\_\_\_

**INDICATE AREAS OF EXTERNAL DAMAGE OR WEAR**

Unit photos saved to file



**WEAR / SERVICE ITEMS**

Cables: Parking Brake, Throttle				
Air Filter				
Brake Pads, Front				
Brake Pads, Rear				
CV Boots, Front				
CV Boots, Rear				

**BATTERY LOAD TEST**

Checked with size appropriate tester

**COMMENTS**

Customer Signature \_\_\_\_\_

Talk to your dealer today about Yamalube and Genuine Yamaha Parts and Accessories or browse online // YAMAHA-MOTOR.CA